

Time Switches

12T: 12 Hour / 24T: 24 Hour

FEATURES :

- Two Versions Available: 12 Hour or 24 Hour
- Automatically Start or Stop Engines or Electric Motors
- Hour Switch for Setting Run Time and Shutdown of Equipment
- Spring Wound, No Electric Power Required
- Precision Movement Can Be Set to Zero at Any Time
- Built-in Stop Prevents Overwinding
- NEMA 4 Weather-Proof Enclosure (NON LC)



ACCURATE, LONG-TERM SERVICE

Set Run Time and Shutdown of Equipment with Precision



MurCal Time Switches can automatically start or stop engines or electrical motors after a predetermined time. These time switches can be wired for an open or closed circuit when time expires. They require no electrical current to operate and have an SPDT contact arrangement. Each switch features a precision movement that gives years of reliable service. A built-in stop prevents overwinding.

The 12T and 24T time switches are enclosed in a NEMA 4 weatherproof enclosure. A hinged, gasketed cover and 1/2 NPT conduit connection allow for dust-tight installation. The enclosure includes a clasp and eye for padlock to prevent unauthorized operation. Instructions for popular engine applications are secured inside the lid.

MurCal Time Switches are designed for use in the oil field, irrigation systems or anywhere equipment must operate or be controlled for a predetermined time. Mounted on a post or in a panel away from vibration and shock, these time switches will provide accurate, long term service.

- 12T Range: 0-12 hours in 15 minute intervals.
- 24T Range: 0-24 hours in 30 minute intervals.



Time Switches

12T: 12 HOUR / 24T: 24 HOUR



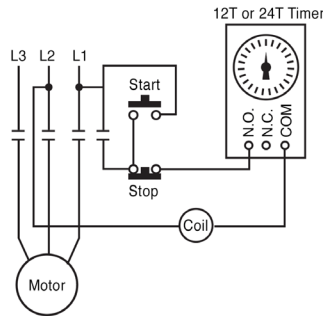
TYPICAL WIRING DIAGRAMS

WARNING

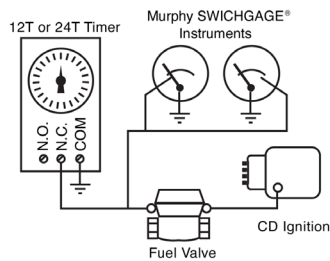
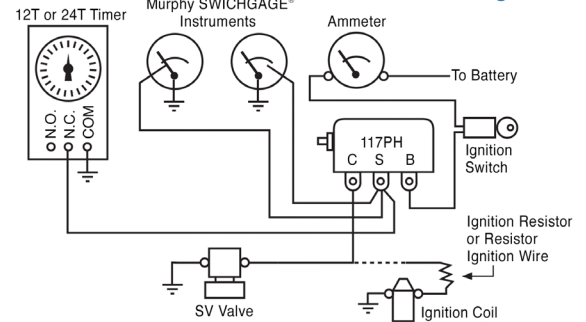
Before beginning installation of this MurCal product:

- ✓ Disconnect all electrical power to the machine.
- ✓ Make sure the machine cannot operate during installation.
- ✓ Follow all safety warnings of the machine manufacturer.
- ✓ Read and follow all installation instructions.

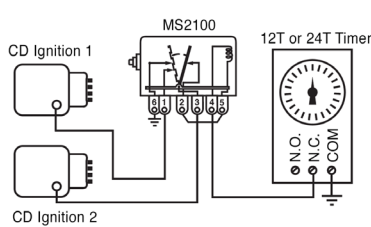
Electric Motor



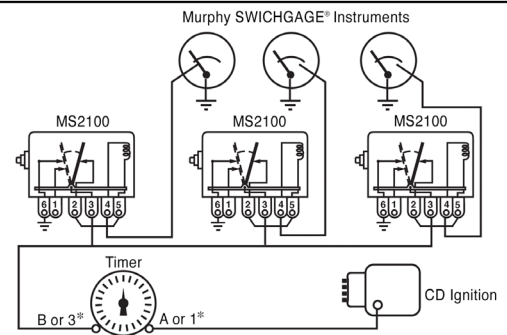
Diesel Engine



Fuel Valve and CD Ignition



Dual CD Ignition



SWICHGAGE® Circuit Disconnect

PRODUCT SPECIFICATIONS

SPECIFICATIONS AND DESIGNS ARE SUBJECT TO CHANGE WITHOUT NOTICE.

TIMER RANGE

| | |
|-----|-----------------------------------|
| 12T | 0-12 hours in 15 minute intervals |
| 24T | 0-24 hours in 30 minute intervals |

OPERATING TEMP.

| | |
|-------|-----------------------------|
| RANGE | 32°F to 185°F (0°C to 85°C) |
|-------|-----------------------------|

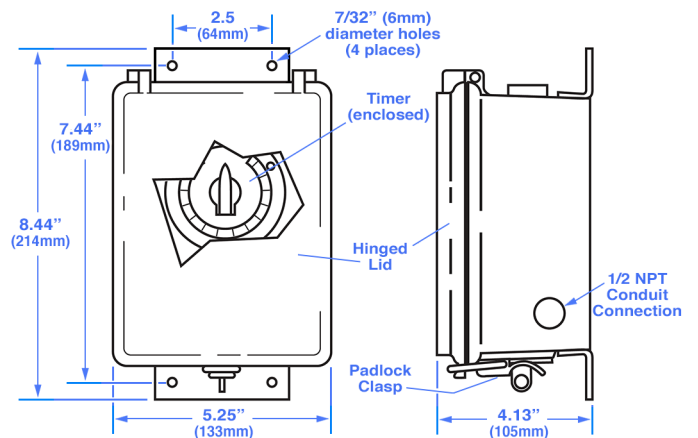
CONTACT

| | |
|-----------|--|
| 12T / 24T | SPDT, rated 5A @ 480 VAC; 10A @ 250 VAC; 15A @ 48VDC |
|-----------|--|

SHIPPING

| | |
|------------|--|
| WEIGHT | 12T/24T: 4.5 lb. (2.04 kg) |
| DIMENSIONS | 12T/24T: 10" x 6" x 6" (254mm x 152mm x 152mm) |

DIMENSIONS



WARNING: This product can expose you to chemicals including lead, which is known to the State of California to cause cancer. For more information, go to www.P65Warnings.ca.gov.

PRODUCT ORDER NUMBERS

| | |
|----------|--------------------------|
| 20700031 | 12T: 12 Hour Time Switch |
| 20700037 | 24T: 24 Hour Time Switch |

41343 12th Street West
Palmdale, CA 93551
661-272-4700



www.murcal.com
sales@murcal.com